

e-BoX

... a surprising alternative

The electric Faber e-BoX series has been developed especially for true fire connoisseurs who are looking for a complete and 100% future-proof alternative to an atmospheric gas or wood fire. The Faber e-BoX series provides a unique solution for the full enjoyment of a swirling, atmospheric fire, without the traditional limitations that may be associated with a built-in gas or wood fire. For example, limitations because of the living environment (city), apartment blocks, the lack of a connection to the gas grid or a chimney, or because there is no room to build in a fire.

The flame effect of the e-BoX built-in fires is once again thanks to a combination of rising cold water mist and special LED lights. A patented flame technology, inspired by the trendsetting e-Matrix series but in a slightly toned down version. The flame effect is convincing with naturally moving 'flames and smoke' that move freely and 100% safely up through the fireplace. Choose from a number of interior decorations. At the same time, the flame effect electricity consumption is comparable with that of room lighting and uses no more than a few litres of tap water a day, making it extremely economical and fully emission free. Maintenance is minimal and the controls simply require the push of a button. Additional heating (max. 1kW) is also available for that really snug feeling near the fire.

e-Box Burner - Top quality and unique

Faber is introducing a second electric burner for the e-BoX series, based on the burner of the e-MatriX. The flame effect is produced by the combination of cold-water mist and special LED lights - a patented invention. This unique combination produces a three-dimensional effect that looks convincingly like flames and smoke, swirling up through a decoration of logs, white pebbles or sparkling acrylic crystals. An ultra-thin flexible water hose and a regular socket are all that's needed for the connection. Another water supply option is to use a built-in reservoir and optional 'pump kit'.

Built-in heat

The e-BoX comes standard with a small additional heating unit with a maximum capacity of 1kW that is incorporated invisibly in the fire. The warm airflow is blown into the room through an opening in the pane. The controls are integrated in the remote control. Comfortable and controllable heat.

Why opt for the e-BoX?

- No flue-gas pipe required; easy installation anywhere,
- Unique patented three-dimensional "living" fire effect; 100% fire experience,
- Heat adjustable; up to max 1 kW,
- Easy control via remote control,
- Choice of decoration; log set, white pebbles or Acrylic ice



More information about the e-BoX? Scan the QR code.

In other words: The e-BoX series makes the choice of electric Faber fires broader than ever before.

e-BoX | 1000/450 |



DECORATION



Heating functionality:	Yes
Flue material:	-
Watts:	1400 W
Volts:	230-240 V
Water consumption:	0,3 l/h
Water pressure:	0,5-8 Bar
Water connection:	1/2" - 1/4"



Specifications

Exterior dimensions WxHxD in mm

1140 x 800 x 405

Fire display WxHxD in mm

1032 x 368

System

e-BoX burner

Decoration

Log set / White Pebble / Acrylic Ice

Back wall

Back wall smooth steel

Remote

Bluetooth remote

Power

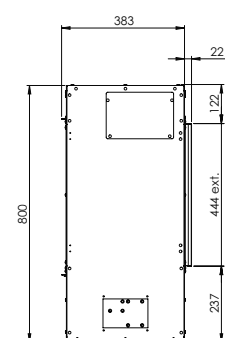
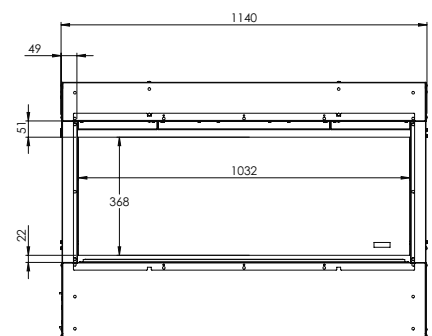
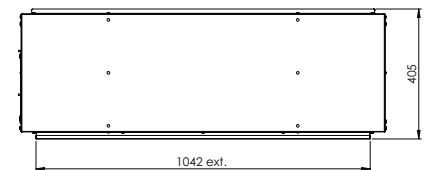
1,0 kW

Operating system

-

Energy label

-



Imagine what's possible